

ASSEMBLY SYSTEMS SPECIALIST

EXPERTISE IN TECHNICAL FASTENERS

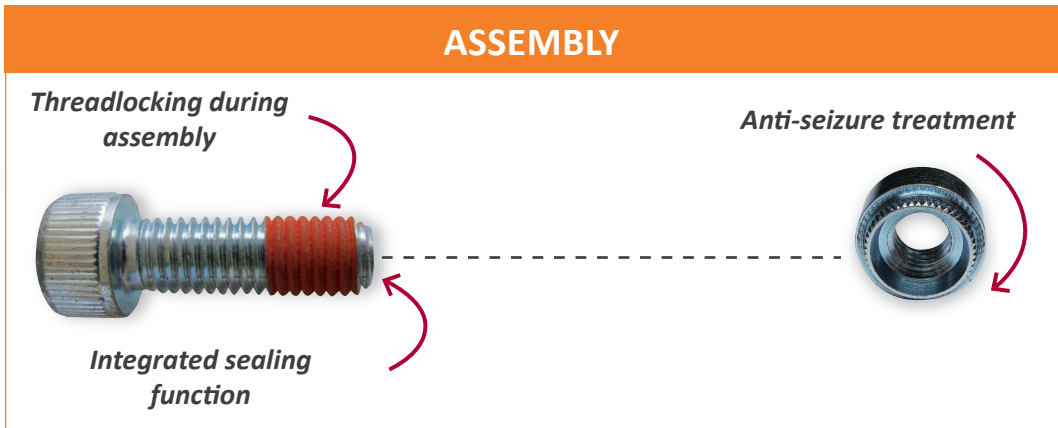
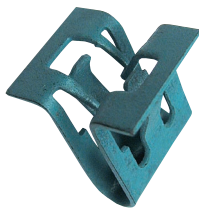
Inserco Fasteners designs and distributes innovative fastening and assembly systems for all industry sectors : plastics, sheet metal, electronics, electricity, mechanical engineering, aeronautics, defence, transport, solar, furniture, sport and leisure, heating ect. For more than ten years, car and motor vehicle equipment manufacturers have trusted us to provide a comprehensive and optimal response through our wide range of associated services. Inserco Fasteners' know-how is based on the long-term experience we gained within PSM and then as part of LEVRAT Fasteners. Our teams are still based in Angers, the town where the business originated.



COMPREHENSIVE, INNOVATIVE SOLUTIONS

From specific parts to complete assemblies (screw + threaded part + integrated functions), Inserco Fasteners provides innovative and economical solutions.

Our assembly expertise in many areas (screws, inserts, clips, pre-coating treatment, etc.) guarantees the implementation of comprehensive solutions at the best price.

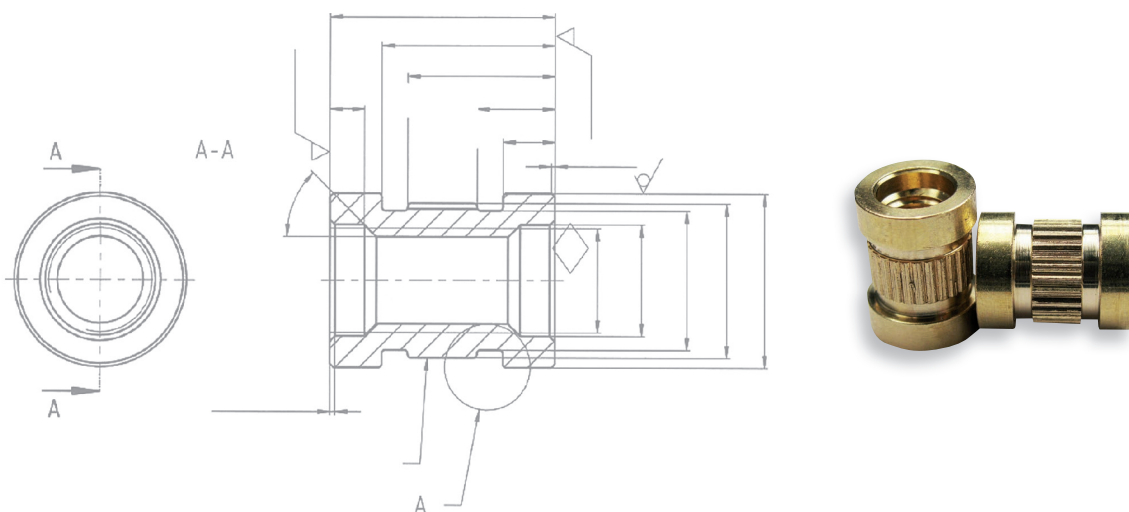


DEVELOPMENT OF SPECIAL PARTS

Inserco Fasteners can develop your assemblies, from specification to the delivery of complete systems.

Specifications	R&D	Sourcing	Technical Approval	Quality Documents	Logistics
Functional analysis	Drawing	Factory selection	Prototypes	Monitoring plan	Stock
Conform to Standards	Specifications	Capacity validation	Testing	PPAP AMDEC	Deliveries Packaging

We have been developing technical fasteners with the same partner factories in Europe and Asia for over 10 years. Both, high flexibility and reactivity allows us to support your DO with economic and longlasting solutions.



STOCK-KEEPING

■ INSERTS FOR PLASTICS

Our wide range of inserts is based on our expertise within the plastics industry. From plastic injection to rotational moulding : we have the right part ! Our parts correspond to each installation type : by heat, by ultrasound, by press, by injection moulding, by screw-in operation.

■ INSERTS FOR THIN SHEET METALS

The range of rivet and clinch inserts for thin sheet metals that we keep in stock is perfectly suited for the sheet metal industries. Our nuts, studs and standoffs let you create strong threaded assemblies.

QUALITY

All the products we supply are strictly controlled under our quality policy which is subject to continuous improvement. Our quality system is ISO 9001 certified and meets the specific requirements of the automotive industry.

